

## TYPICAL ELEVATION

THIS INFORMATION IS GENERIC IN NATURE & SUPPLIED FOR GUIDANCE PURPOSES ONLY. JOINT WIDTHS WILL VARY TO SUIT PANEL SIZE & SEALANT USED.  
TOP HAT DIMENSIONS ARE NOMINAL. DIMENSIONS, SPACING, SPANS & STIFFENER REQUIREMENTS WILL NEED TO BE CONFIRMED BY A SUITABLY QUALIFIED PROFESSIONAL TO SUIT THE SPECIFIC APPLICATION.



COVER SHEET

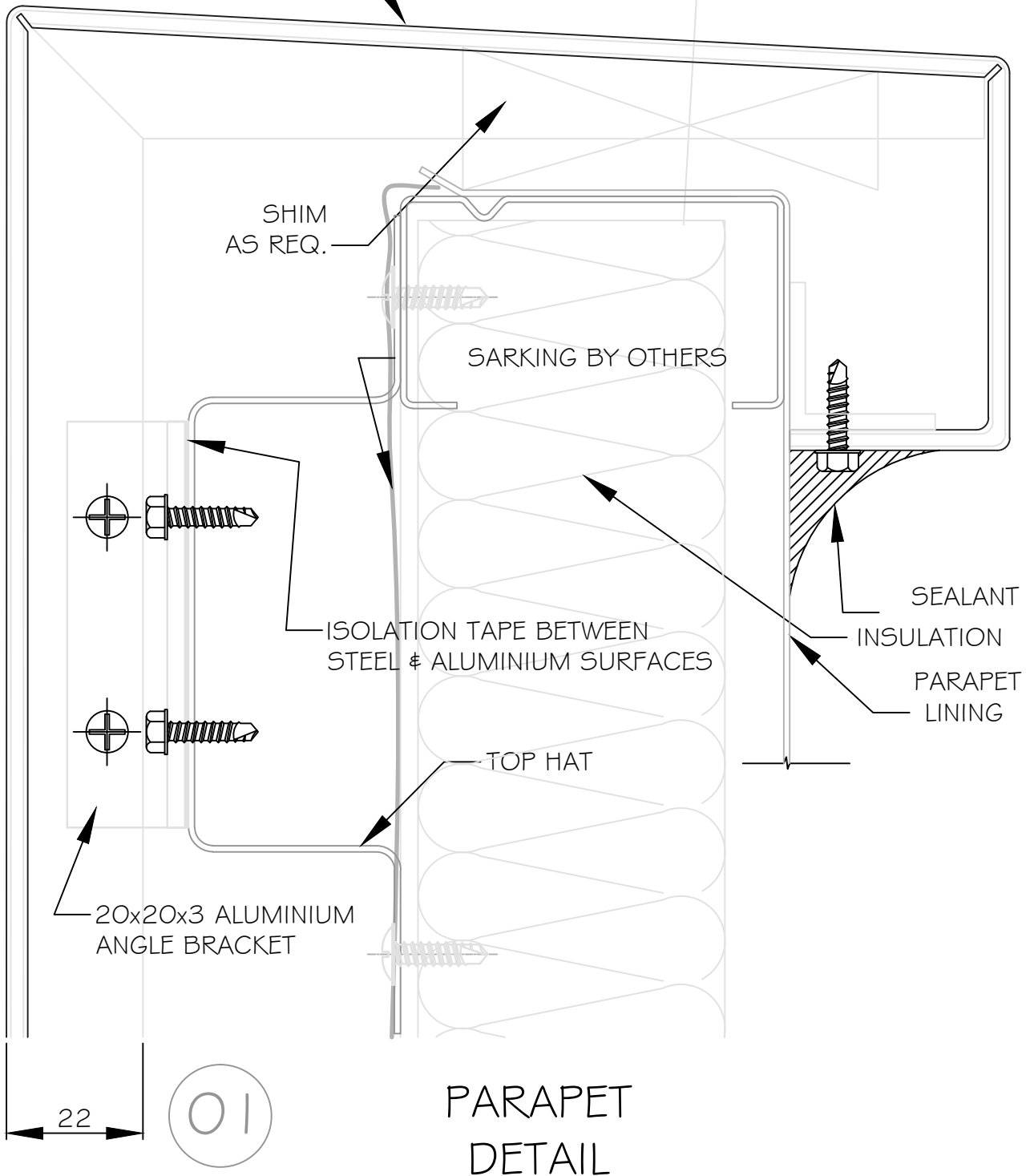
PAGE

PO1

FIXED  
CASSETTE  
SYSTEM

© ALLUCOBOND ARCHITECTURAL.  
ALL RIGHTS RESERVED. THIS DESIGN IS COPYRIGHT AND CAN NOT BE REPRODUCED OR COPIED IN ANY FORM EITHER IN PART OR IN WHOLE WITHOUT THE WRITTEN PERMISSION OF ALLUCOBOND ARCHITECTURAL  
25 WEST PARK DRIVE, DEERLARK VIC 3003

ALUCOBOND CLADDING  
PANELS



THIS INFORMATION IS GENERIC IN NATURE & SUPPLIED FOR GUIDANCE PURPOSES ONLY. JOINT WIDTHS WILL VARY TO SUIT PANEL SIZE & SEALANT USED.  
TOP HAT DIMENSIONS ARE NOMINAL. DIMENSIONS, SPACING, SPANS & STIFFENER REQUIREMENTS WILL NEED TO CONFIRMED BY A SUITABLY QUALIFIED PROFESSIONAL TO SUIT THE SPECIFIC APPLICATION.



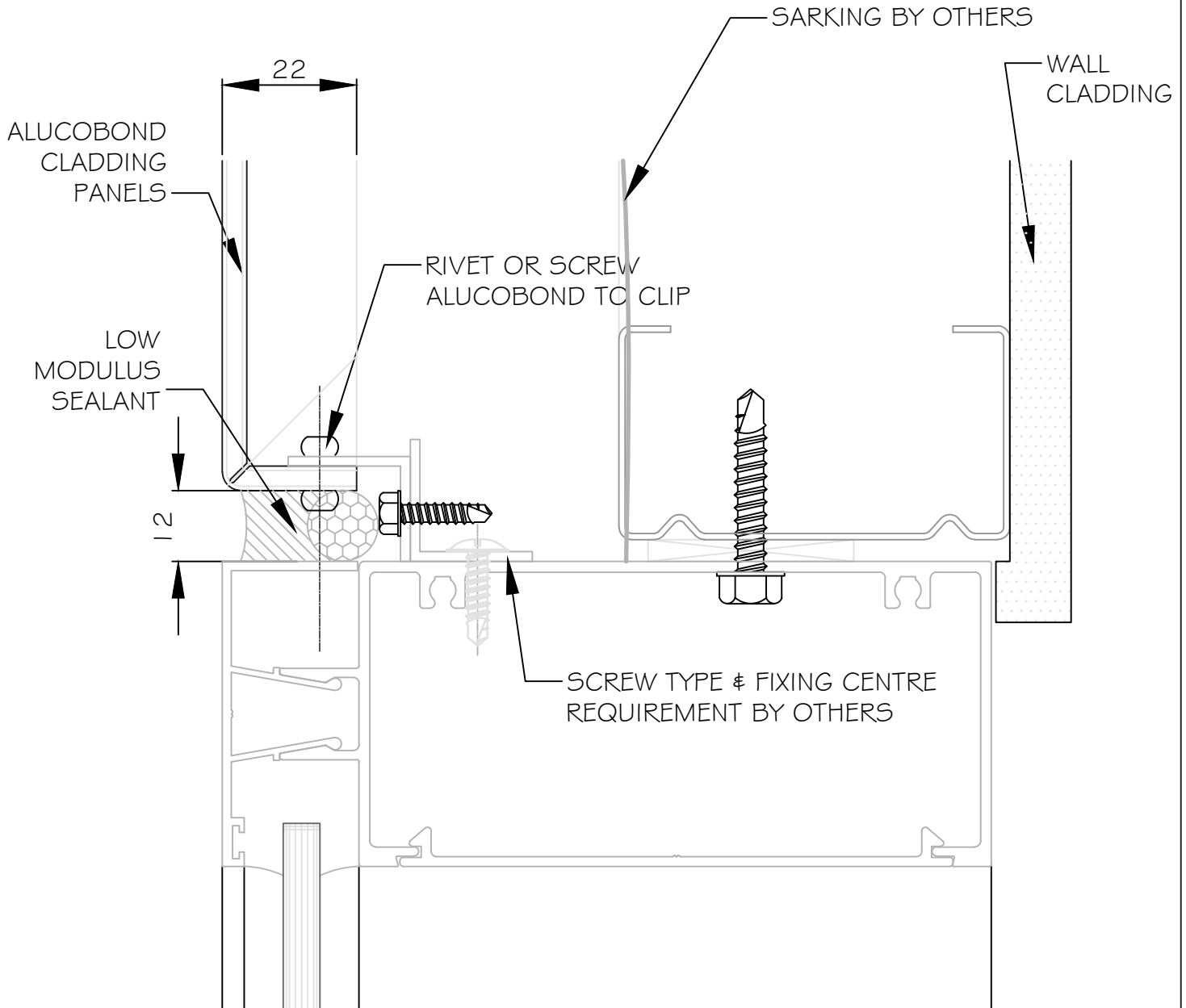
PARAPET  
DETAIL

PAGE

P02

FIXED  
CASSETTE  
SYSTEM

© ALUCOBOND ARCHITECTURAL.  
ALL RIGHTS RESERVED. THIS DESIGN IS COPYRIGHT AND CAN NOT BE REPRODUCED OR COPIED IN ANY FORM EITHER IN PART OR IN WHOLE WITHOUT THE WRITTEN PERMISSION OF ALUCOBOND ARCHITECTURAL  
25 WEST PARK DRIVE, DEERLARK VIC 3003



02

## WINDOW HEAD DETAIL

THIS INFORMATION IS GENERIC IN NATURE & SUPPLIED FOR GUIDANCE PURPOSES ONLY. JOINT WIDTHS WILL VARY TO SUIT PANEL SIZE & SEALANT USED.  
TOP HAT DIMENSIONS ARE NOMINAL. DIMENSIONS, SPACING, SPANS & STIFFENER REQUIREMENTS WILL NEED TO BE CONFIRMED BY A SUITABLY QUALIFIED PROFESSIONAL TO SUIT THE SPECIFIC APPLICATION.



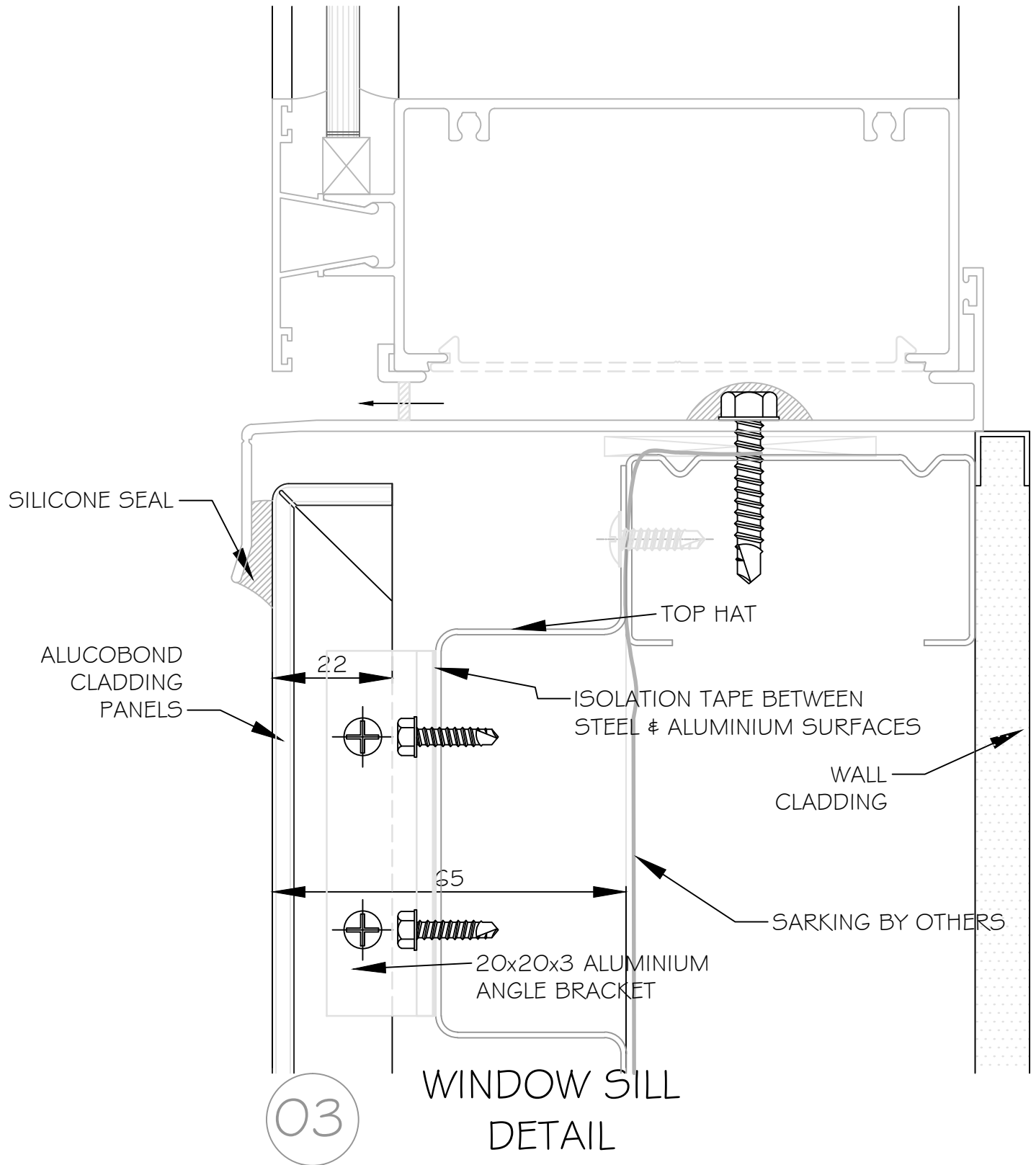
WINDOW DETAIL

PAGE

P03

FIXED  
CASSETTE  
SYSTEM

© ALUCOBOND ARCHITECTURAL.  
ALL RIGHTS RESERVED. THIS DESIGN IS COPYRIGHT AND CAN NOT BE REPRODUCED OR COPIED IN ANY FORM EITHER IN PART OR IN WHOLE WITHOUT THE WRITTEN PERMISSION OF ALUCOBOND ARCHITECTURAL  
25 WEST PARK DRIVE, DEERLARK VIC 3003



WINDOW SILL  
DETAIL

THIS INFORMATION IS GENERIC IN NATURE & SUPPLIED FOR GUIDANCE PURPOSES ONLY. JOINT WIDTHS WILL VARY TO SUIT PANEL SIZE & SEALANT USED.  
TOP HAT DIMENSIONS ARE NOMINAL. DIMENSIONS, SPACING, SPANS & STIFFENER REQUIREMENTS WILL NEED TO BE CONFIRMED BY A SUITABLY QUALIFIED PROFESSIONAL TO SUIT THE SPECIFIC APPLICATION.



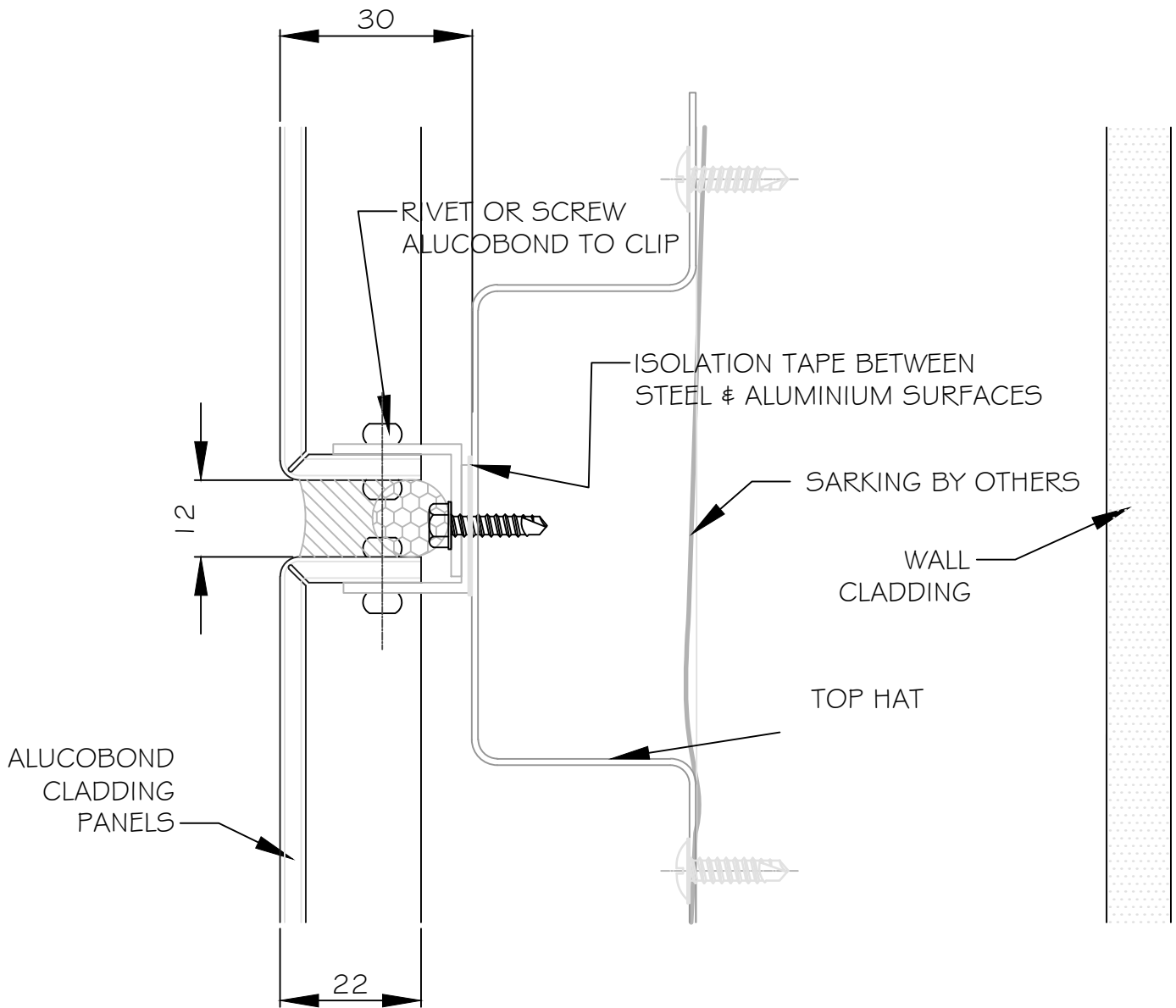
WINDOW DETAIL

PAGE

P04

FIXED  
CASSETTE  
SYSTEM

© ALUCOBOND ARCHITECTURAL. ALL RIGHTS RESERVED. THIS DESIGN IS COPYRIGHT AND CAN NOT BE REPRODUCED OR COPIED IN ANY FORM EITHER IN PART OR IN WHOLE WITHOUT THE WRITTEN PERMISSION OF ALUCOBOND ARCHITECTURAL. 25 WEST PARK DRIVE, DEERLARK VIC 3003.



04

## HORIZONTAL JOINT DETAIL

THIS INFORMATION IS GENERIC IN NATURE & SUPPLIED FOR GUIDANCE PURPOSES ONLY. JOINT WIDTHS WILL VARY TO SUIT PANEL SIZE & SEALANT USED.  
TOP HAT DIMENSIONS ARE NOMINAL. DIMENSIONS, SPACING, SPANS & STIFFENER REQUIREMENTS WILL NEED TO CONFIRMED BY A SUITABLY QUALIFIED PROFESSIONAL TO SUIT THE SPECIFIC APPLICATION.



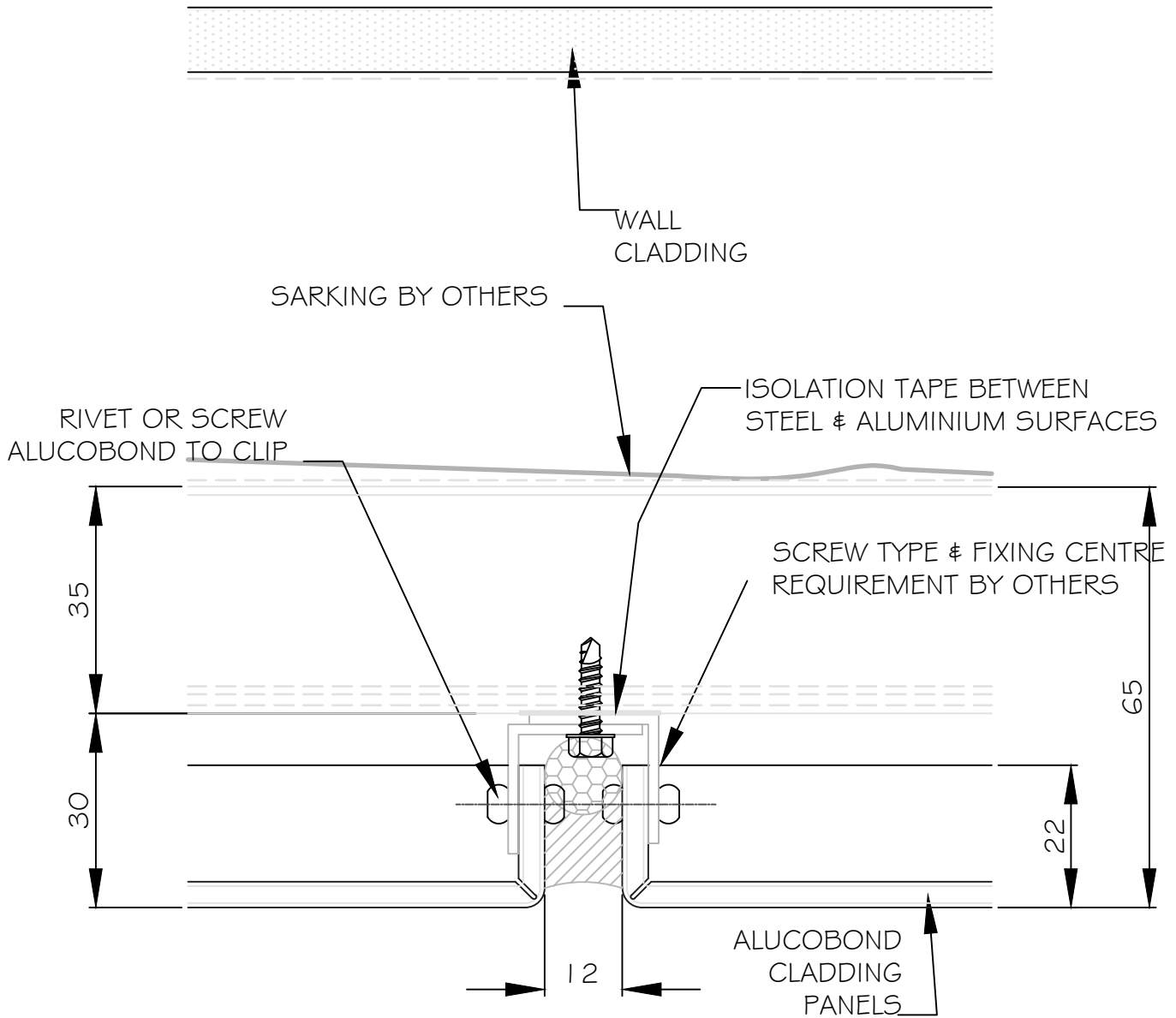
HORIZONTAL  
JOINT

PAGE

P05

FIXED  
CASSETTE  
SYSTEM

© ALLUCOBOND ARCHITECTURAL.  
ALL RIGHTS RESERVED. THIS DESIGN IS COPYRIGHT AND CAN NOT BE REPRODUCED OR COPIED IN ANY FORM EITHER IN PART OR IN WHOLE WITHOUT THE WRITTEN PERMISSION OF ALLUCOBOND ARCHITECTURAL  
25 WEST PARK DRIVE, DEERBURY VIC 3003



05

## VERTICAL JOINT

THIS INFORMATION IS GENERIC IN NATURE & SUPPLIED FOR GUIDANCE PURPOSES ONLY. JOINT WIDTHS WILL VARY TO SUIT PANEL SIZE & SEALANT USED.  
TOP HAT DIMENSIONS ARE NOMINAL. DIMENSIONS, SPACING, SPANS & STIFFENER REQUIREMENTS WILL NEED TO BE CONFIRMED BY A SUITABLY QUALIFIED PROFESSIONAL TO SUIT THE SPECIFIC APPLICATION.



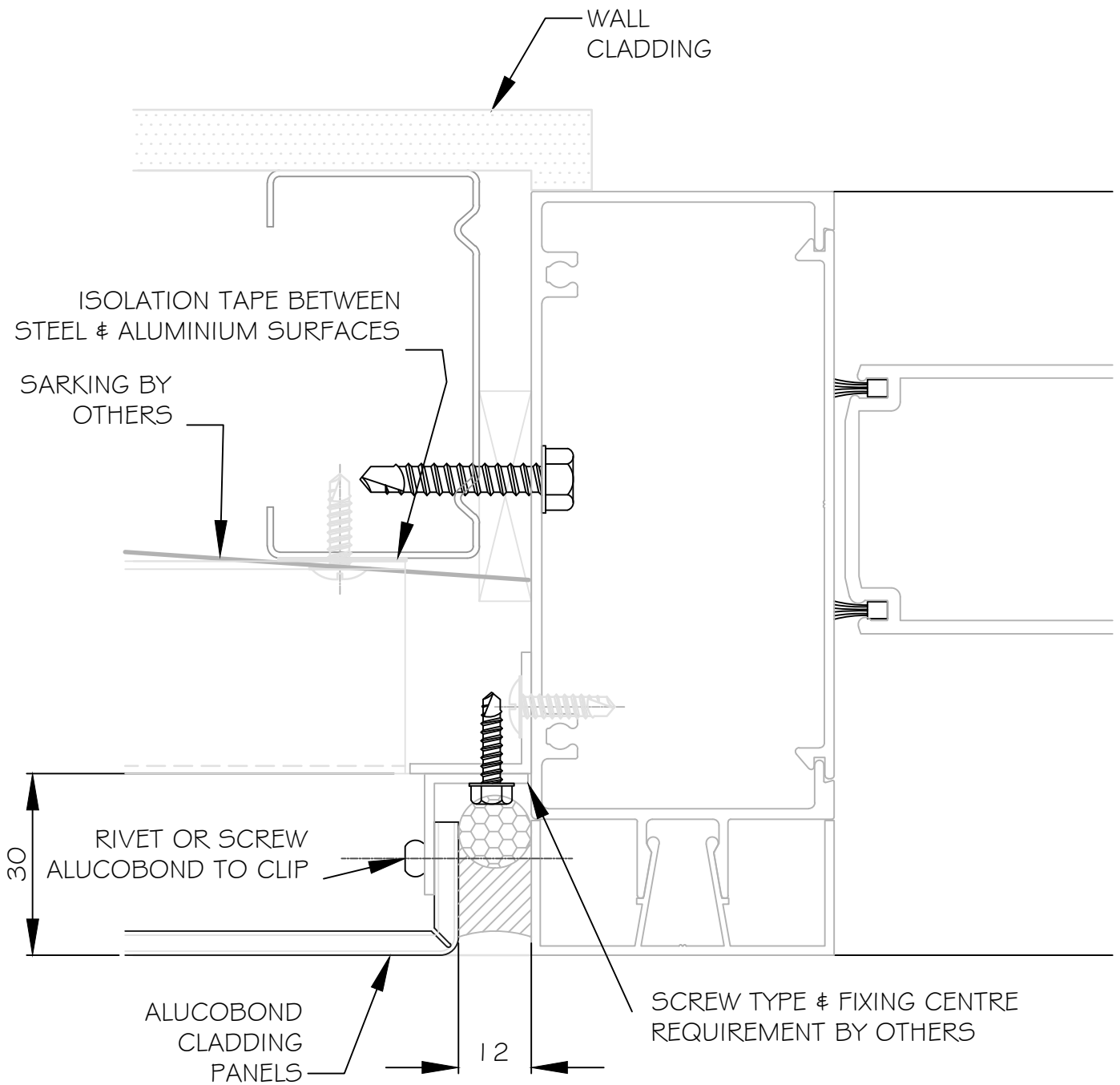
VERTICAL  
JOINT

PAGE

P06

FIXED  
CASSETTE  
SYSTEM

© ALUCOBOND ARCHITECTURAL.  
ALL RIGHTS RESERVED. THIS DESIGN IS COPYRIGHT AND CAN NOT BE REPRODUCED OR COPIED IN ANY FORM EITHER IN PART OR IN WHOLE WITHOUT THE WRITTEN PERMISSION OF ALUCOBOND ARCHITECTURAL  
25 WEST PARK DRIVE, DEERLARK VIC 3003



THIS INFORMATION IS GENERIC IN NATURE & SUPPLIED FOR GUIDANCE PURPOSES ONLY. JOINT WIDTHS WILL VARY TO SUIT PANEL SIZE & SEALANT USED.  
TOP HAT DIMENSIONS ARE NOMINAL. DIMENSIONS, SPACING, SPANS & STIFFENER REQUIREMENTS WILL NEED TO BE CONFIRMED BY A SUITABLY QUALIFIED PROFESSIONAL TO SUIT THE SPECIFIC APPLICATION.



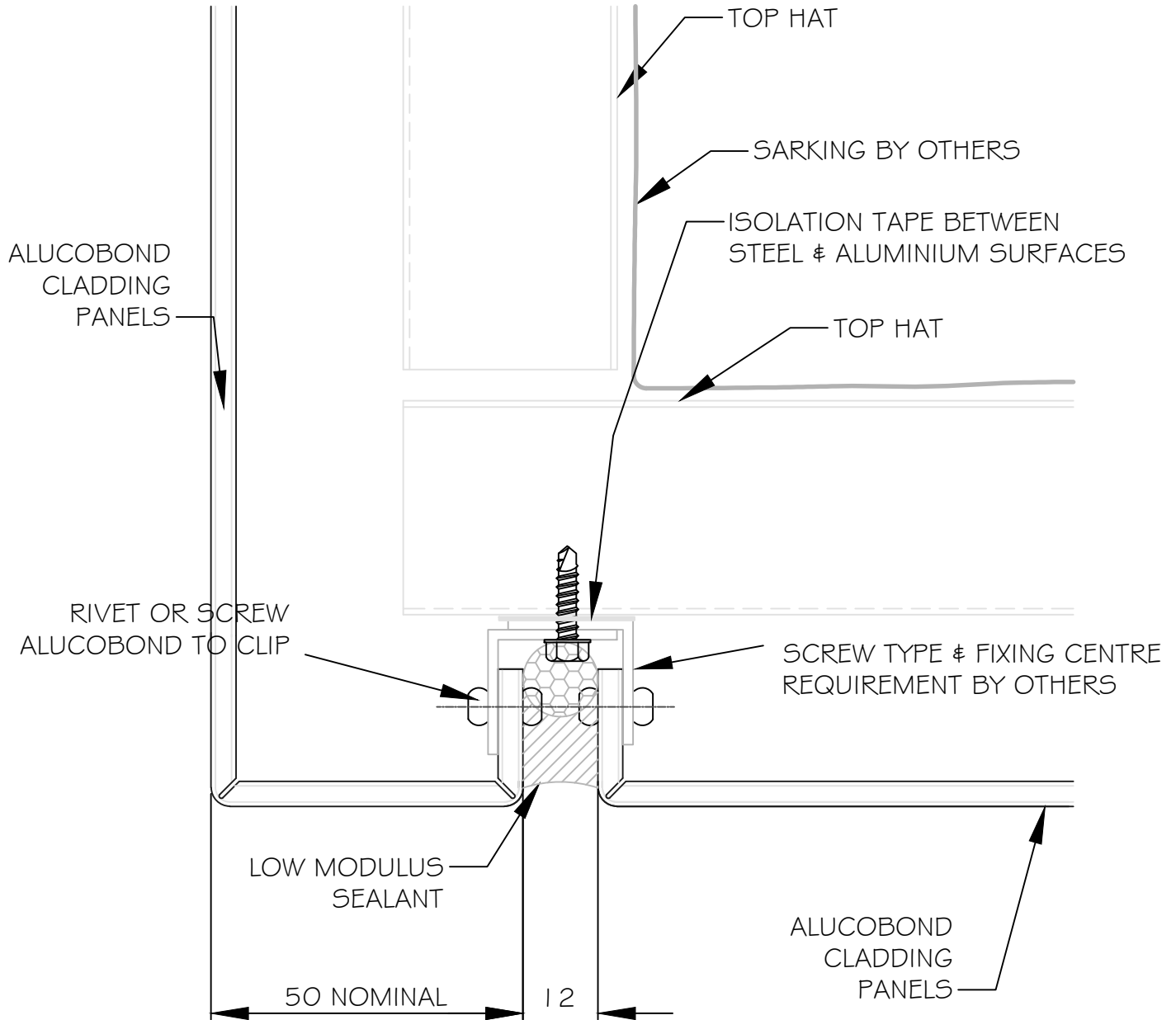
WINDOW DETAIL

PAGE

P07

FIXED  
CASSETTE  
SYSTEM

© ALUCOBOND ARCHITECTURAL.  
ALL RIGHTS RESERVED. THIS DESIGN IS COPYRIGHT AND CAN NOT BE REPRODUCED OR COPIED IN ANY FORM EITHER IN PART OR IN WHOLE WITHOUT THE WRITTEN PERMISSION OF ALUCOBOND ARCHITECTURAL  
25 WEST PARK DRIVE, DEERHURST VIC 3003



07

SOFFIT  
DETAIL

THIS INFORMATION IS GENERIC IN NATURE & SUPPLIED FOR GUIDANCE PURPOSES ONLY. JOINT WIDTHS WILL VARY TO SUIT PANEL SIZE & SEALANT USED.  
TOP HAT DIMENSIONS ARE NOMINAL. DIMENSIONS, SPACING, SPANS & STIFFENER REQUIREMENTS WILL NEED TO BE CONFIRMED BY A SUITABLY QUALIFIED PROFESSIONAL TO SUIT THE SPECIFIC APPLICATION.



SOFFIT DETAIL

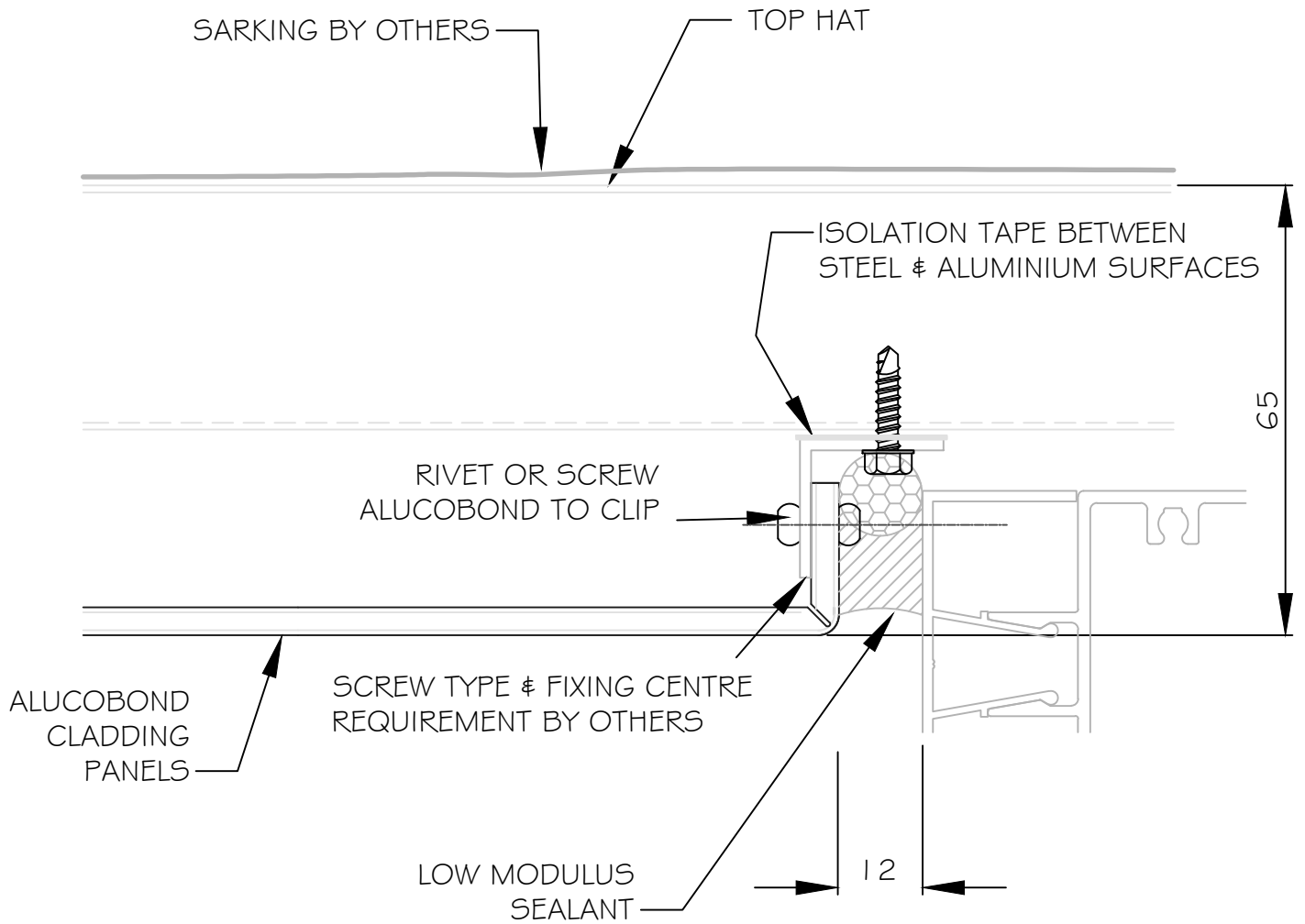
PAGE

P08

FIXED  
CASSETTE  
SYSTEM

© ALUCOBOND ARCHITECTURAL. ALL RIGHTS RESERVED. THIS DESIGN IS COPYRIGHT AND CAN NOT BE REPRODUCED OR COPIED IN ANY FORM EITHER IN PART OR IN WHOLE WITHOUT THE WRITTEN PERMISSION OF ALUCOBOND ARCHITECTURAL 25 WEST PARK DRIVE, DEERLARK VIC 3003





08

SOFFIT  
DETAIL

THIS INFORMATION IS GENERIC IN NATURE & SUPPLIED FOR GUIDANCE PURPOSES ONLY. JOINT WIDTHS WILL VARY TO SUIT PANEL SIZE & SEALANT USED.  
TOP HAT DIMENSIONS ARE NOMINAL. DIMENSIONS, SPACING, SPANS & STIFFENER REQUIREMENTS WILL NEED TO BE CONFIRMED BY A SUITABLY QUALIFIED PROFESSIONAL TO SUIT THE SPECIFIC APPLICATION.



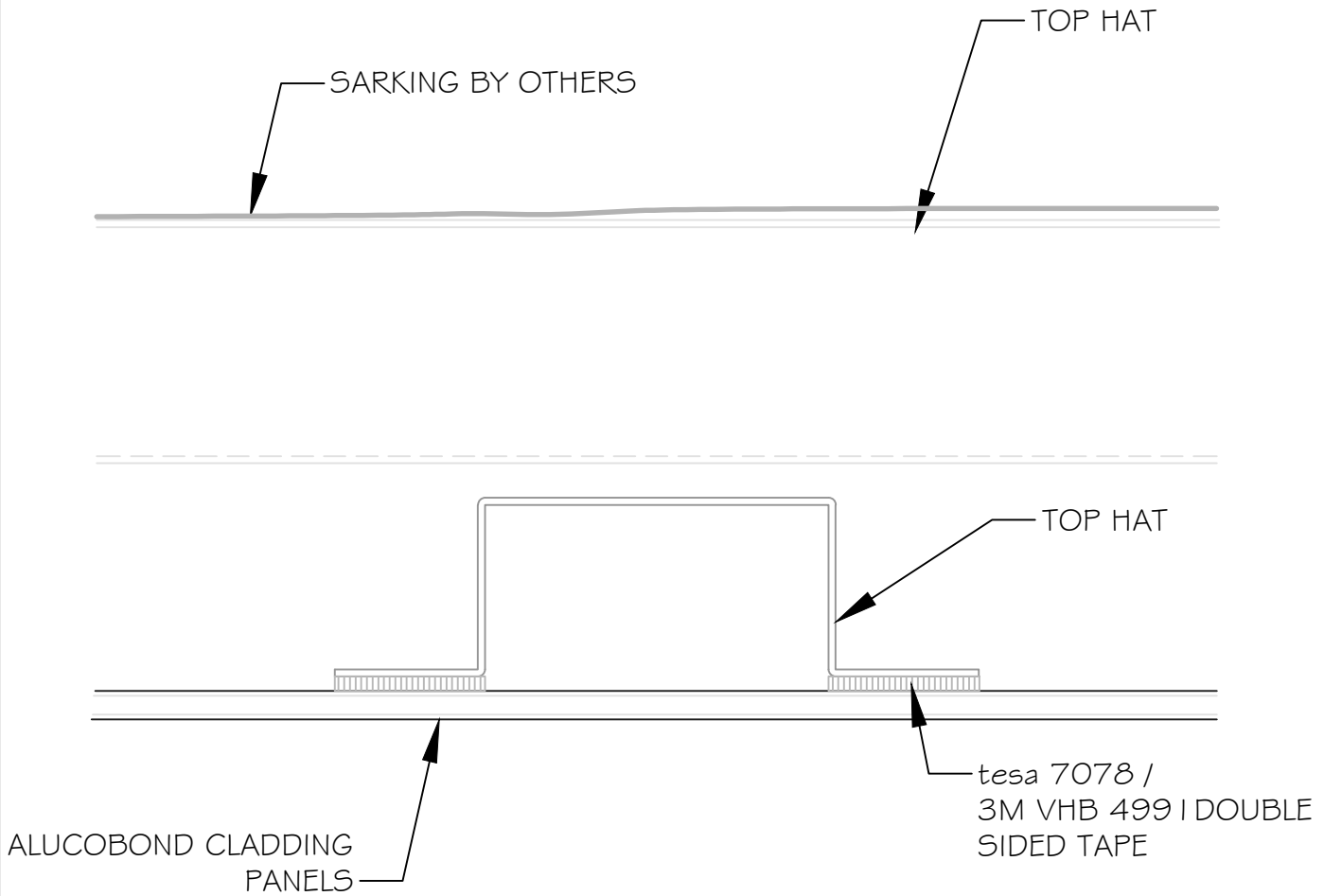
SOFFIT DETAIL

PAGE

P09

FIXED  
CASSETTE  
SYSTEM

© ALUCOBOND ARCHITECTURAL. ALL RIGHTS RESERVED. THIS DESIGN IS COPYRIGHT AND CAN NOT BE REPRODUCED OR COPIED IN ANY FORM EITHER IN PART OR IN WHOLE WITHOUT THE WRITTEN PERMISSION OF ALUCOBOND ARCHITECTURAL. 25 WEST PARK DRIVE, DEERHURST VIC 3083.



NOTE: TO ENSURE APPLIED LOADS ARE TRANSFERRED BACK TO THE SUB STRUCTURE, ALL STIFFENERS SHOULD BE FIXED BACK TO THE CASSETTE EDGE. REQUIREMENTS INCLUDING; GAUGE, MATERIAL TEMPER, CENTRES / SPANS TO BE DETERMINED BY QUALIFIED PROFESSIONAL SPECIFIC TO THE APPLICATION.

10

## STIFFENER DETAIL

THIS INFORMATION IS GENERIC IN NATURE & SUPPLIED FOR GUIDANCE PURPOSES ONLY. JOINT WIDTHS WILL VARY TO SUIT PANEL SIZE & SEALANT USED.  
TOP HAT DIMENSIONS ARE NOMINAL. DIMENSIONS, SPACING, SPANS & STIFFENER REQUIREMENTS WILL NEED TO CONFIRMED BY A SUITABLY QUALIFIED PROFESSIONAL TO SUIT THE SPECIFIC APPLICATION.



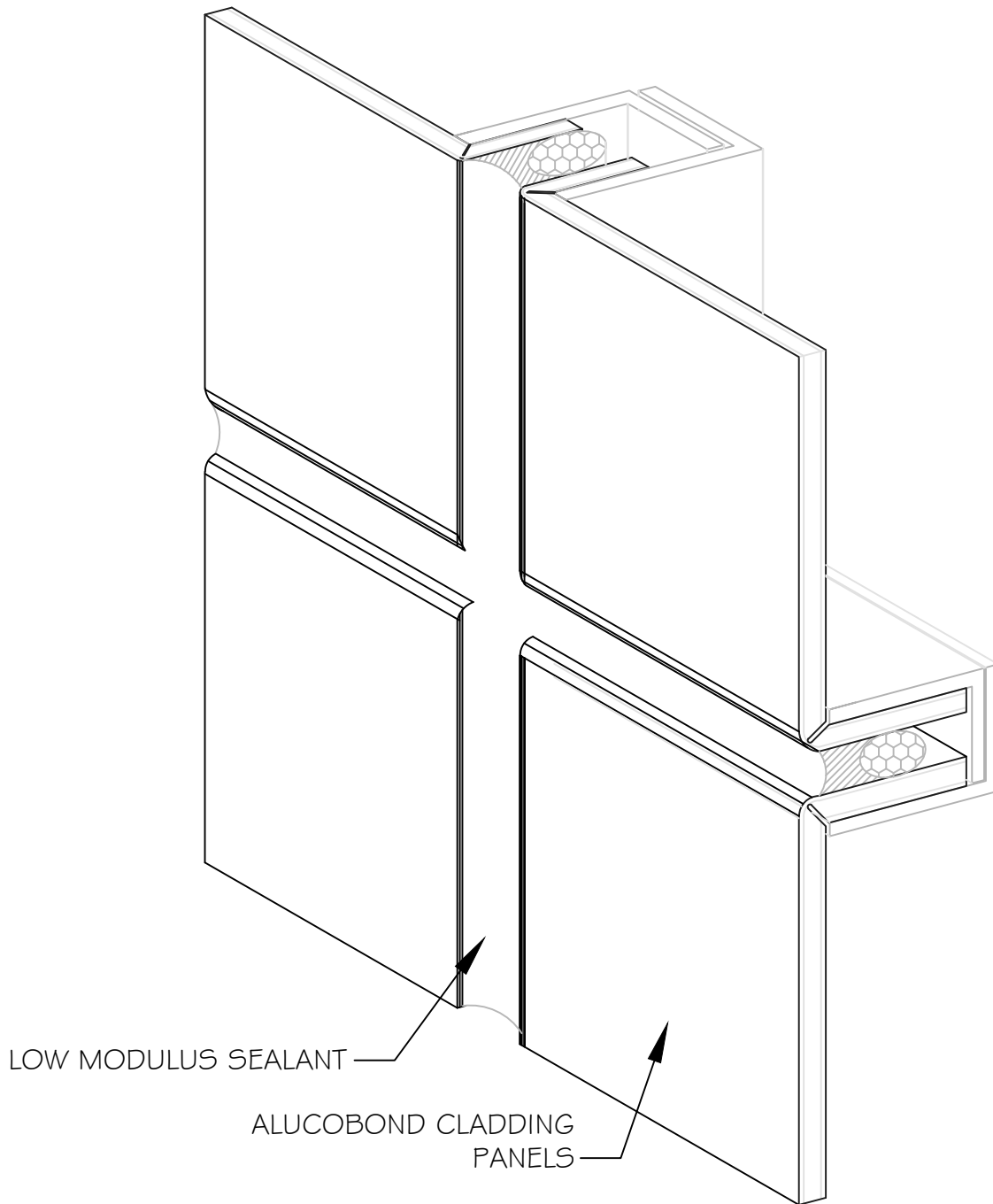
STIFFENER  
DETAIL

PAGE

P10

FIXED  
CASSETTE  
SYSTEM

© ALLUCOBOND ARCHITECTURAL.  
ALL RIGHTS RESERVED. THIS DESIGN IS COPYRIGHT AND CAN NOT BE REPRODUCED OR COPIED IN ANY FORM EITHER IN PART OR IN WHOLE WITHOUT THE WRITTEN PERMISSION OF ALLUCOBOND ARCHITECTURAL  
25 WEST PARK DRIVE, DEERHURST VIC 3003



## HORIZONTAL JOINT DETAIL

THIS INFORMATION IS GENERIC IN NATURE & SUPPLIED FOR GUIDANCE PURPOSES ONLY. JOINT WIDTHS WILL VARY TO SUIT PANEL SIZE & SEALANT USED.  
TOP HAT DIMENSIONS ARE NOMINAL. DIMENSIONS, SPACING, SPANS & STIFFENER REQUIREMENTS WILL NEED TO BE CONFIRMED BY A SUITABLY QUALIFIED PROFESSIONAL TO SUIT THE SPECIFIC APPLICATION.



HORIZONTAL  
JOINT DETAIL

PAGE

P 11

FIXED  
CASSETTE  
SYSTEM

© ALUCOBOND ARCHITECTURAL.  
ALL RIGHTS RESERVED. THIS DESIGN IS COPYRIGHT AND CAN NOT BE REPRODUCED OR COPIED IN ANY FORM EITHER IN PART OR IN WHOLE WITHOUT THE WRITTEN PERMISSION OF ALUCOBOND ARCHITECTURAL  
25 WEST PARK DRIVE, DEERHURST VIC 3083